

Model No. LCFW30100

Large security chest



Best Used For:



A4 Paper Documents



Fire



Flood



Pictures



Small Electronics



Storage Devices,
USB Flash Drives

Overview & Features

Product Features

- Fire and water resistant construction
- UL/ETL verified 60 minutes fire protection for documents, official papers, as well as digital items (CD, USB sticks) up to 927°C
- ETL verified for water submersion to protect documents and other valuable items from flood damage
- Key lock - includes 2 keys
- Privacy key lock keeps documents and valuables away from prying eyes and prevents the lid from opening in the event of a fire
- Fits A4 documents

Certifications

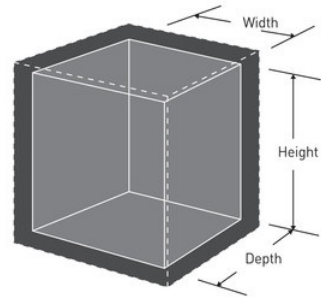


Product Details

The Master Lock No. LCFW30100 Large Security Chest protects your family's most important paper documents (fits A4 paper size), media, and valuables from fire and flood damage.

Product Specifications

| | |
|----------------------------------------|--------------------------------|
| Product Number | LCFW30100 |
| Exterior dimensions (H x W x D) | 19.3cm x 41.9cm x 37.5cm |
| Interior dimensions (H x W x D) | 13.56 cm x 32.11 cm x 23.19 cm |
| Interior Volume | 10 L |
| Weight W/o Packaging | 14.1 kg |
| Colour | Gray |
| Description | Retail Boxed Packaging |
| Master Carton Qty | 1 |



Master Lock Europe S.A.S.

10 avenue de l'arche - Le Colisée Gardens, bâtiment A - 92 400 Courbevoie - La Défense - France
O:+33-1-41437200 | F:+33-1-41437204
www.masterlock.eu