

# Qi718 PRIVATE MODE

## 4 DIAL MECHANICAL COMBINATION LOCK



# MK718

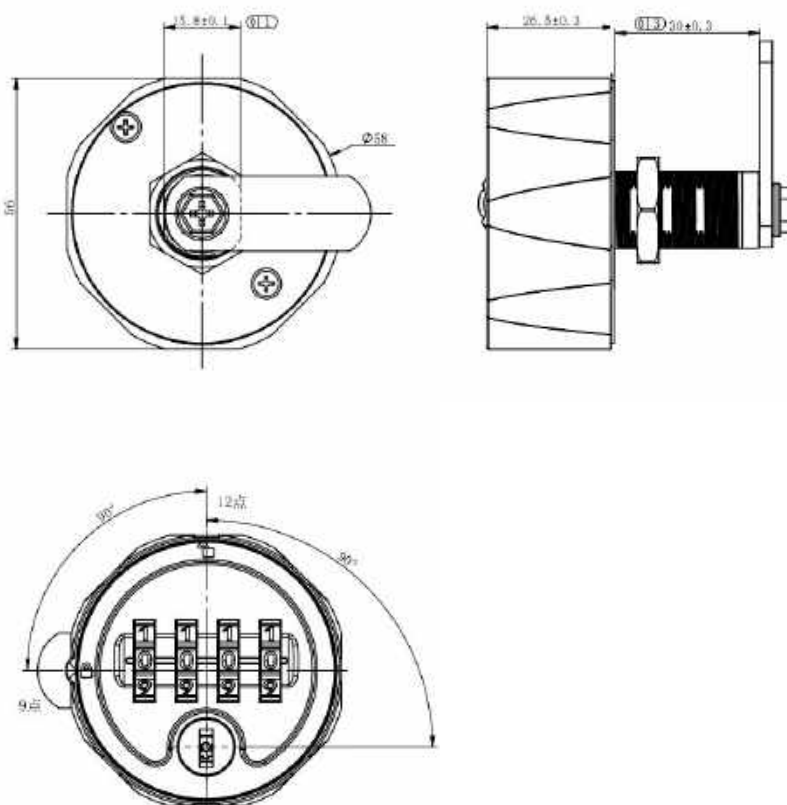
## Mechanical Combination Lock



### FEATURES

- Full Metal Lock Body
- Master Key Over-Ride
- Retrieve forgotten code
- Privacy Mode : The dials return to 0-0-0-0 automatically, when unlocked

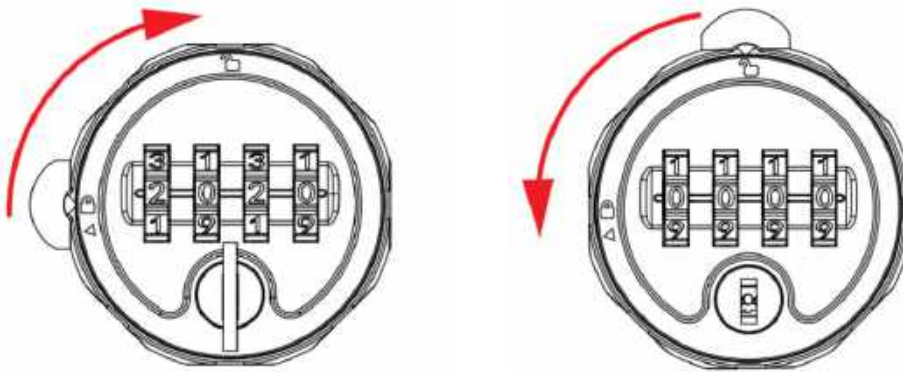
### TECHNICAL DRAWING



# MK718

## Mechanical Combination Lock

### User Instructions



Default Setting:

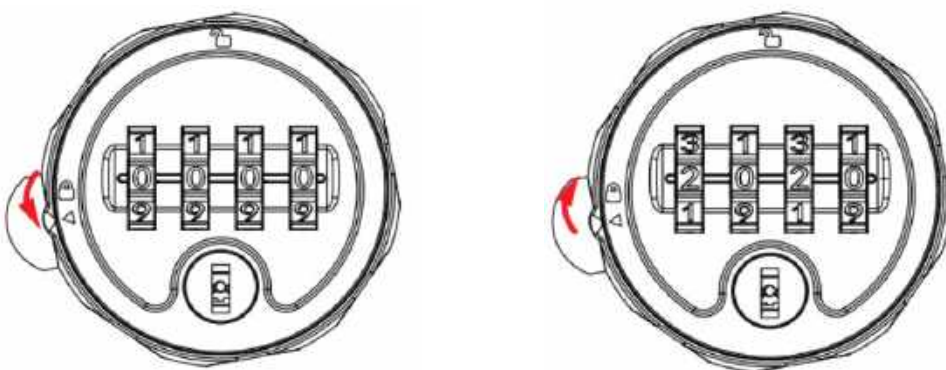
To unlock:

Enter the factory code "1-1-1-1", turn the knob to the open position, the dials scramble to 0-0-0-0 automatically. The door is ready to open.

To lock:

Close the door, turn the knob to the close position, the LOCK is locked. The dials still show 0-0-0-0.

### Setting a New Code

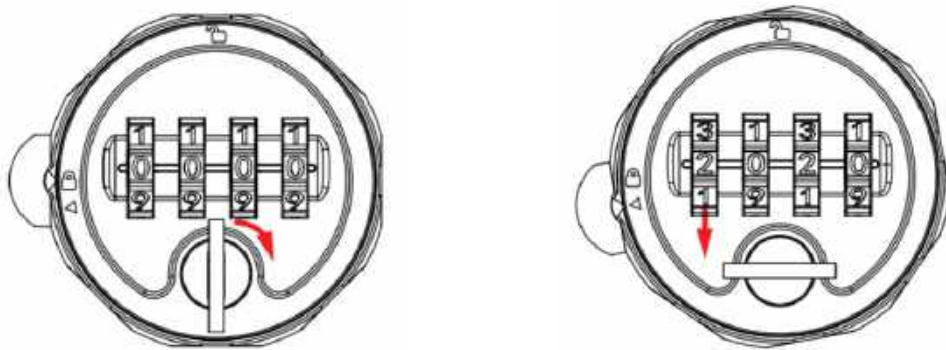


1. Enter existing 4 digits code
2. Turn the knob to the reset position ▲, enter the new 4 digits code
3. Turn the knob to the unlock position 🗝️ ( 4 Dials scramble to 0-0-0-0)
4. Turn the knob to lock position 🗝️

# MK718

## Mechanical Combination Lock

### Recovering Lost / Forgotten Code



1. Insert the Master Key and turn right 90°
2. Scroll each dial from up to down until it stops on a dedicated number
3. The final code displayed is the current code
4. Remove the key from the lock

The Lost Code has been recovered